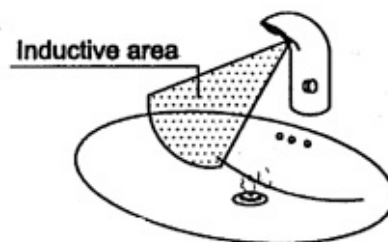


SEN30010
Automatic induction faucet user manual
 Touch less lavatory faucet.

Use

Water flows just passing hands through inductive area and automatically stops just moving them away.



Primary Application

Health care, hospitals, foodstuff industry, institutions.

Technical Data

Working Pressure: 0.05 – 0.4 Mpa
 Hot Water Supply: 80°C max
 Power supply: DC6V (four 1.5V “AAA” size alkaline batteries)
 Inlet calibre: G1/2”
 Recognition range: 10-15 cm

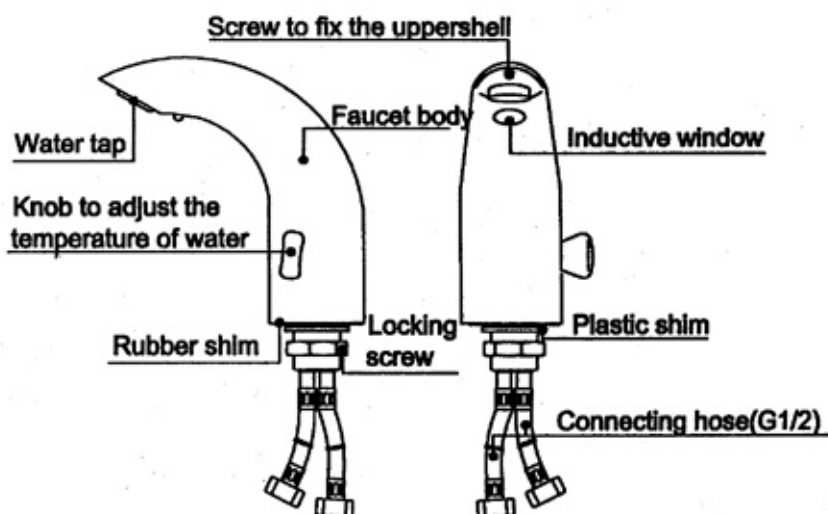
Checking list

N°	Parts	Quantity	Remark
1	Faucet	1	Locking screw included
2	Stop valve unit	2 set	Filters included
3	Connection hose	2	
4	“AAA” battery	4	
5	User manual	1	

Notes

1. Check carefully packed parts before installation and contact us for any further request.
2. All parts are packed in suitable bags, please do not bump them excessively.

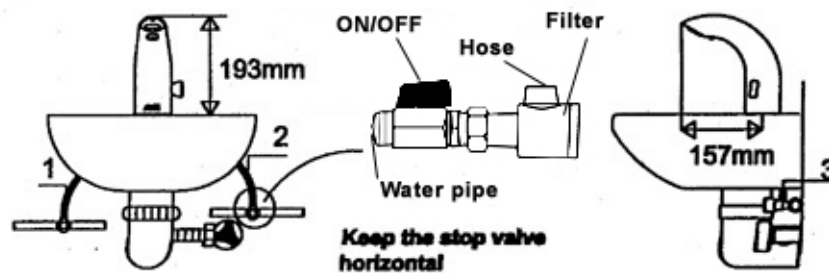
Name of the parts



Installation

NOTES:

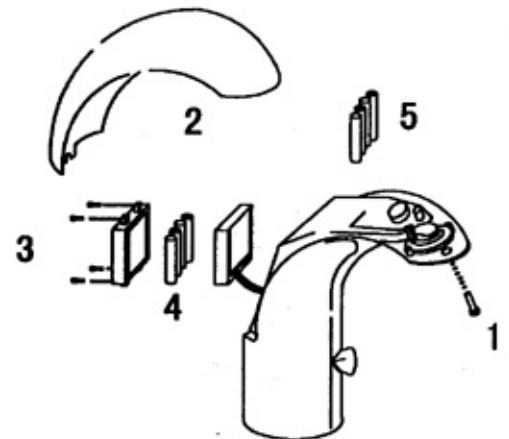
- Stainless steel or mirror basins are not appropriate as the faucet operates according to testing results on reflecting infrared light intensity. Glass and ceramic basins are perfect.
- The faucet has to be fixed tightly to prevent any wrong operation; in this case take off batteries, wait ten minutes, put batteries back and do not move anything through the inductive area till the light stops flashing.
- Keeping the basin clean helps the faucet good operation.



1.2: Connecting hose for hot or cold water
3: Equipped with the stop valve unit

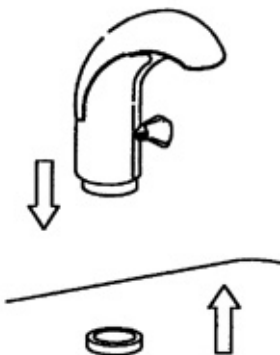
1 : Install and change battery.

- Remove screw in the inductive window (1).
- Remove the upper shell (2).
- Remove battery box cover away from control unit (3).
- Take out old battery (4).
- Insert new battery (5).
- Reassemble the parts.



NOTE: If you are not expert of it, please do not disassemble or repair the faucet and do not install it in a sun-exposed site.

2 : Install faucet body.



Ensure that stop valves in the supply pipes are closed.

- Mount the faucet in the basin.
- Attach one end of the red hose to faucet body connector. The same for the blue one.

Red hose: hot water.

Blue hose: cold water.

- Install faucet body and tighten nuts.
- Attach other end of the red hose to the stop valve unit not forgetting to fit filter in the unidirectional valve. The same for the blue hose.
- Turn knob in the blue position (cold water).

NOTE: normally, "A" hose on the left connect cold water pipe, while "B" hose on the right connect hot water pipe.

- Supply water checking that faucet works correctly by passing hands in front of the photocell and that connections are watertight.

NOTE: as the faucet has an automatic adjusting recognition range time, please wait about 5 minutes before faucet is working when installed for the first time.

Maintenance

1. In case of water flow decrease, this may be caused by clogged filter and it has to be cleaned.

Filter cleaning

- a. Turn off faucet water supply with ON/OFF switch.
 - b. Unscrew filter cover.
 - c. Remove the filter from the nipple.
 - d. Clean the filter under running water.
 - e. Reassemble the parts.
2. In case of flashing light in the inductive window, please wait few seconds to let it work again as the mixer is making its settings automatically.
 3. In case it flashes while working, batteries are exhausted and should be changed in short time.

