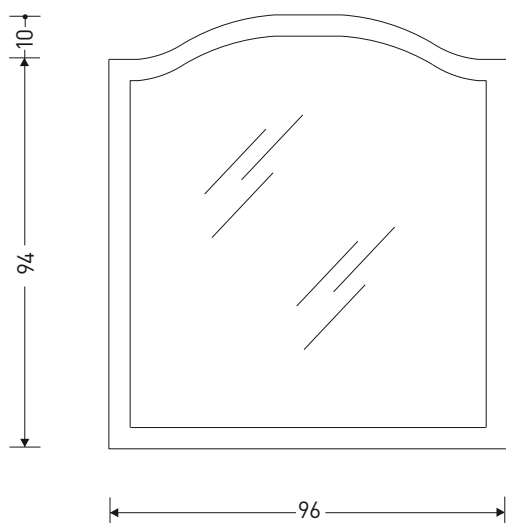





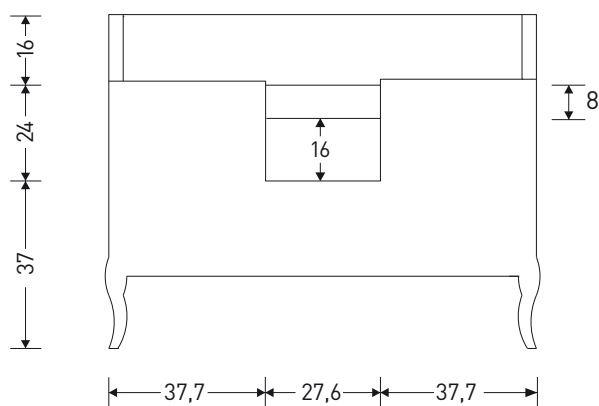
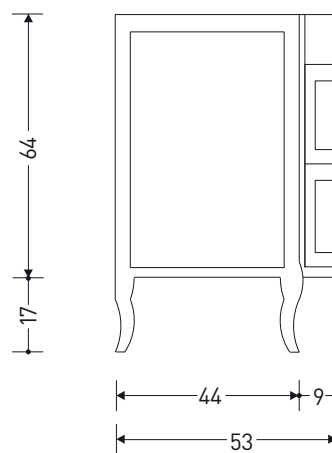
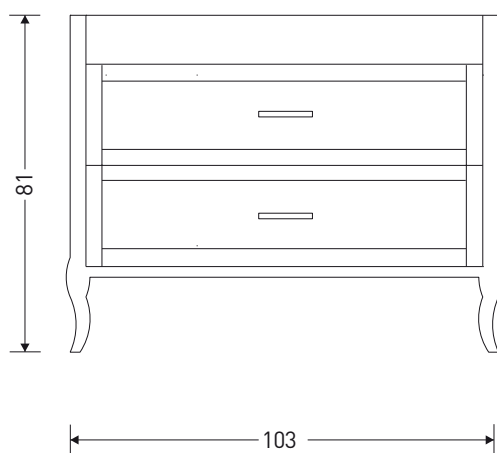


# RACHELE 105 TERRA COLLECTION



lavabi  
washbasins  
Waschbecken  
lavabo  
lavamano

-  Cristallo  
crystal /Kristallglas  
verre/cristal
-  top in marmo  
marble top  
Arbeitsplatte aus Marmor  
top en marbre  
top de mármol
-  LIBERTY  
ceramica / ceramic  
Keramik/céramique/cerámica
-  pietra monolitica  
monobloc stone  
Monolith-Stein  
pierre monolithique  
piedra monolítica



**EBAN s.r.l.**

Via Maestri Del Lavoro 28/30 - 62019 Recanati (MC) Tel +39 0717578025 - Fax +39 071987119  
e-mail: info@ebansrl.it - [www.ebansrl.it](http://www.ebansrl.it)